

# MENTO

Your link to improved performance

## LSF Leaf Filters



## LSF Leaf Filters

diameter	filtration degree	material
from <b>800 mm</b> to <b>2.600 mm</b>	down to <b>5 mm</b>	<b>SS304 - SS316L</b> as standard <b>special alloys</b> upon request

Effective solution for the elimination of coarse particles from rivers and channels



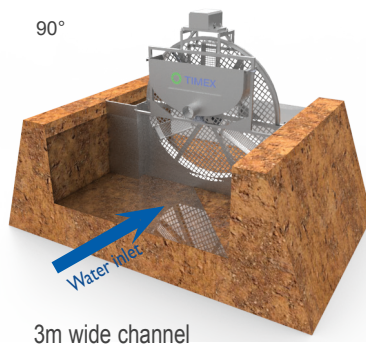
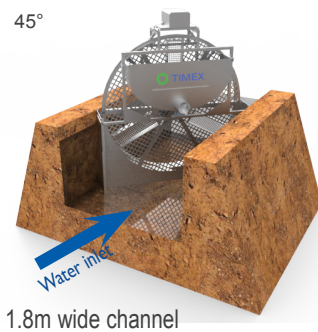
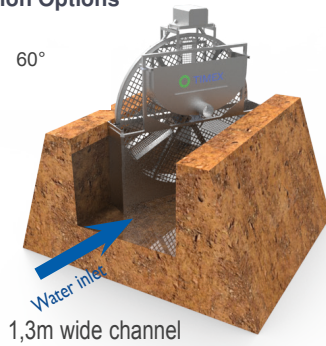
### features:

- High capacity output, up to 500 l/s.
- Designed to meet the needs of fish farming, irrigation and industry.
- All stainless steel construction, 304 or 316L, for full protection from corrosion.
- Motor 0.55-1.5 kw, 380V 3ph in standard.
- Screen disc diameter up to 2.600 mm, 5, 10, 20 mm. mesh as standard.
- Effectively removes residues and waste carried by the water coming in.
- Optimised rinsing system to save water.
- Extremely rugged machine construction.
- Low maintenance

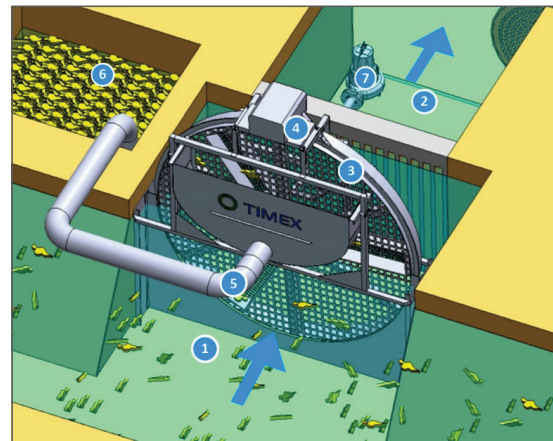
## Technical Specifications

Filter Type	LSF-1200	LSF-1400	LSF-1600	LSF-1800	LSF-2000	LSF-2200	LSF-2600
<b>General Data *</b>							
Filtration Area	11.300 cm <sup>2</sup>	15.350 cm <sup>2</sup>	20.000 cm <sup>2</sup>	25.400 cm <sup>2</sup>	31.400 cm <sup>2</sup>	37.950 cm <sup>2</sup>	53.000 cm <sup>2</sup>
Filtration Degrees	5 mm, 10 mm and 20 mm						
Rotation Speed	4 rpm						
Electric Motor	0,55 kW – 1,5 kW						
Construction Materials	Stainless Steel 304 and 316L (special alloys upon request)						
Dimensions (mm.)	W : 1400 L : 600 h : 1300	W : 1600 L : 600 h : 1500	W : 1800 L : 600 h : 1700	W : 2000 L : 600 h : 1900	W : 2300 L : 600 h : 2150	W : 2500 L : 600 h : 2350	W : 2900 L : 600 h : 2750

## Installation Options



## General Description



1. Filter inlet area
2. Filtered flow outlet
3. Rotation disc with SS screen
4. Motor
5. Waste removal
6. Dirty particles accumulation
7. Backwash pump

timex filtration & water systems

Contact Mento for more information

# MENTO

Your link to improved performance

STAVANGER • BERGEN • HAMMERFEST  
+47 48 11 03 00 • 24h +47 90 19 51 55 • post@mento.no • mento.no