

MENTO

Your link to improved performance

Ladder Safety Rungmate® Anti-Slip Ladder Rung Covers



LADDER SAFETY

RUNGMATE® ANTI-SLIP LADDER RUNG COVERS

SCOTGRIP® INTERNATIONAL HD Rungmate® anti-slip ladder rung covers incorporate the unique Scotgrip® high-traction anti-slip safety surface which gives a sound foot-holding in the most extreme conditions. These product significantly enhance ladder safety.

Ladder rungs are made in many different shapes and sizes and can become extremely dangerous when wet, oiled or oily. By installing Rungmate ladder rung covers (square, round or diamond) not only is this slip hazard eliminated but the lifespan of the covered ladder rung is greatly increased. These heavy-duty safety products are easily fitted onto existing ladder rungs using adhesive. Our standard safety yellow ladder rung covers highlight each rung when climbing or descending the ladder

- ELIMINATES 'SLIPS AND TRIPS'
- COST EFFECTIVE
- HIGH TRACTION
- TOUGH AND DURABLE
- EASY INSTALLATION
- FULLY GUARANTEED
- NON CORROSIVE
- REFLECTS POSITIVELY ON PERSONNEL PERFORMANCE
- STANDARD SIZES AND CUSTOM MADE
- SPARK AND FRICTION TESTED
- CARBON NEUTRAL ACCREDITED
- FIRE RESISTANT

SQUARE (LRCS)



DIAMOND (LRCD)



ROUND (LRCR)



PRODUCT DESCRIPTION

Rungmate® Ladder rung covers

CODE

LRCS, LRRC, LRCD

PRODUCT SPECIFICATIONS**METHOD**

Tensile Strength

26MPa

Tear Strength

85kN/m

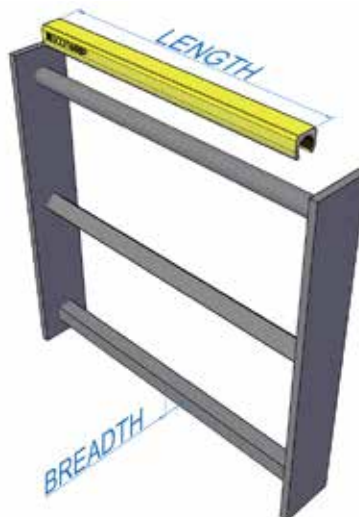
Hardness

95 Shore A rating

> STANDARD SIZES (LRCS & LRCD)**SQUARE/DIAMOND (BREADTH)**

LENGTH	MM	20	22	25	30
	INCHES	3/4	7/8	1	1 1/4
300	12	✓	✓	✓	✓
350	14	✓	✓	✓	✓
400	16	✓	✓	✓	✓
450	18	✓	✓	✓	✓
500	20	✓	✓	✓	✓

Custom sizes are also available.

**> STANDARD SIZES (LRRC)****ROUND (DIAMETER)**

LENGTH	MM	20	25	30
	INCHES	3/4	1	1 1/4
300	12	✓	✓	✓
350	14	✓	✓	✓
400	16	✓	✓	✓
450	18	✓	✓	✓
500	20	✓	✓	✓

Custom sizes are also available.

> HIGH-TRACTION ANTI-SLIP

Rungmate® ladder rung covers will provide a sound foot-holding even in the most extreme conditions and will eliminate 'Slips and Trips' in your working environment.

> SURFACE GRADES

Coarse grade: 1-3mm aggregate (1/16"-1/8" approx.)

> HIGHLY VISIBLE

Colour coded in a wide range of colour schemes to suit individual locations. Colour codes are: safety yellow, black, green, grey, blue, red, white. Other colours available – please ask.

> HEAVY DUTY

Rungmate® ladder rung covers are extremely durable and will remain highly effective for many years.

> STANDARD SIZES OR TO CUSTOMER SPECIFICATION

Rungmate® ladder rung covers are manufactured in a wide range of standard sizes (see tables above). We regularly manufacture custom sizes to suit individual locations.

> EASE OF INSTALLATION

Rungmate® ladder rung covers are designed for quick and secure fitting by bonding to existing ladder rungs with adhesive. Scotgrip® International products are non-load bearing and must have a suitable underlying structure to be secured to.

> QUALITY – IT'S WHAT DRIVES US

All Scotgrip® International HD/UHD safety products are manufactured under BS EN ISO 9001:2015 quality-controlled conditions using highly compatible raw materials at our manufacturing facility in Aberdeenshire, UK.

> OUR SUSTAINABILITY COMMITMENT

At SCOTGRIP® INTERNATIONAL, we're really proud to have achieved carbon neutral status and we're proactively moving towards our target of zero waste. Our environmental ethos extends to everything we do, including our product innovation. Our Rungmate® ladder rung covers feature raw materials that are 16% fully circular which allows us to reduce our environmental impact further.

Contact Mento for more information

MENTO

Your link to improved performance

STAVANGER • BERGEN • HAMMERFEST
+47 48 11 03 00 • 24h +47 90 19 51 55 • post@mento.no • mento.no